

MACHINES FOR FINISHING PROCESS

SHRINKING (ZERO-ZERO TYPE)

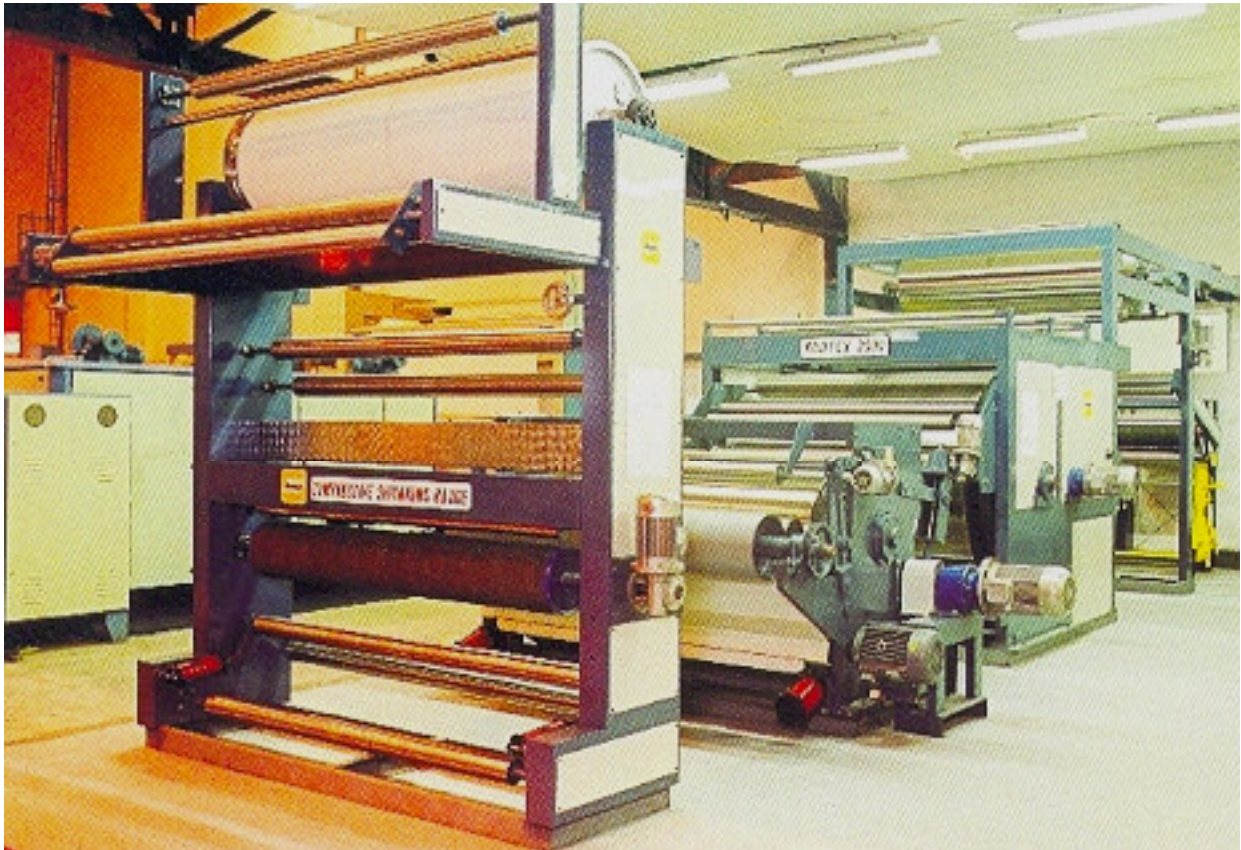
RONSON, DHALLSWASTIK (INDIA) - Rs.25 - 40 lakh

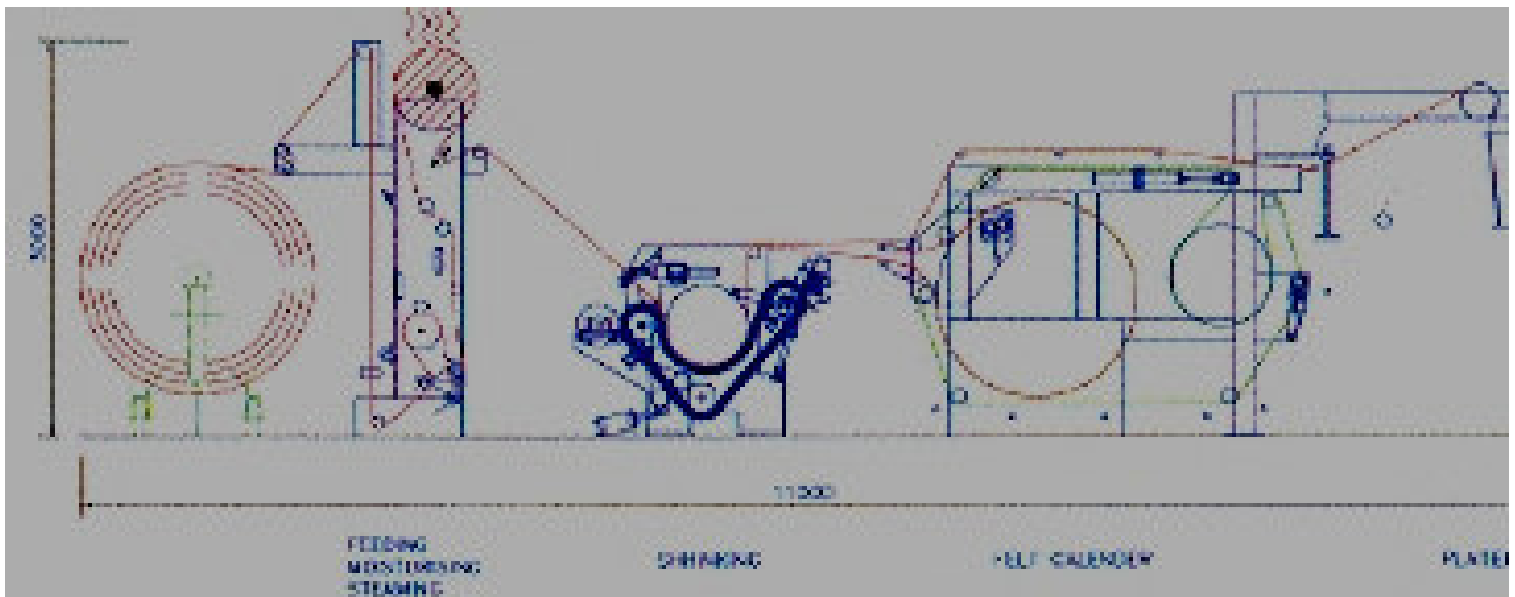
MONFORT, BRUCKNER (GERMANY) - Rs.1.5 - 1.8 crore

Reason for wide variation in cost of Shrinking Machine

- Ideal Shrinking Machine for 100% cotton fabric should essentially consist a Palmer Felt, Hydro conditioning unit and a rubber felt
- Hydro conditioning unit itself may cost upto Rs.10 lakh
- For polyester fabric Palmer felt may not be necessary and this reduces the cost of shrinking machine considerably
- Foreign machinery manufacturers do not compromise on the essential components and supply a comprehensive set of machine. In addition their automation is of higher quality and hence higher cost

RONTEX 2000 SHRINKING RANGE OF RONSON, INDIA





Salient Features of Rontex 2000 Shrinking Range of Ronson, India

- Shrinks fabric to levels of 'sanfor' standards of $\pm 1\%$ residual shrinkage for garment fabrics
- Can shrink up to 18% as per fabric quality
- Specially designed steaming cylinder for applying moisture to fabric – eliminates damping unit
- Weft straightening device
- Pneumatic squeezing of water from rubber blanket
- Auto-pneumatic felt tightening system
- Ac inverter drive system to save on power
- Remote operating control system